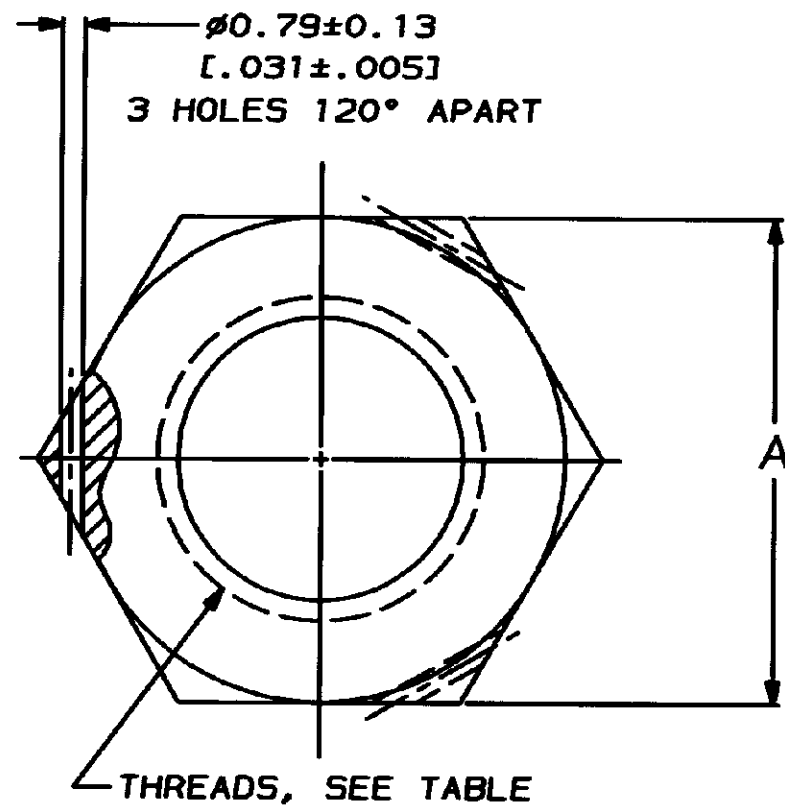
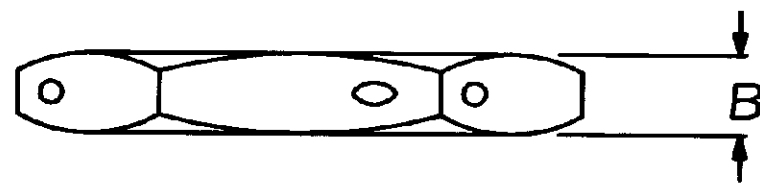
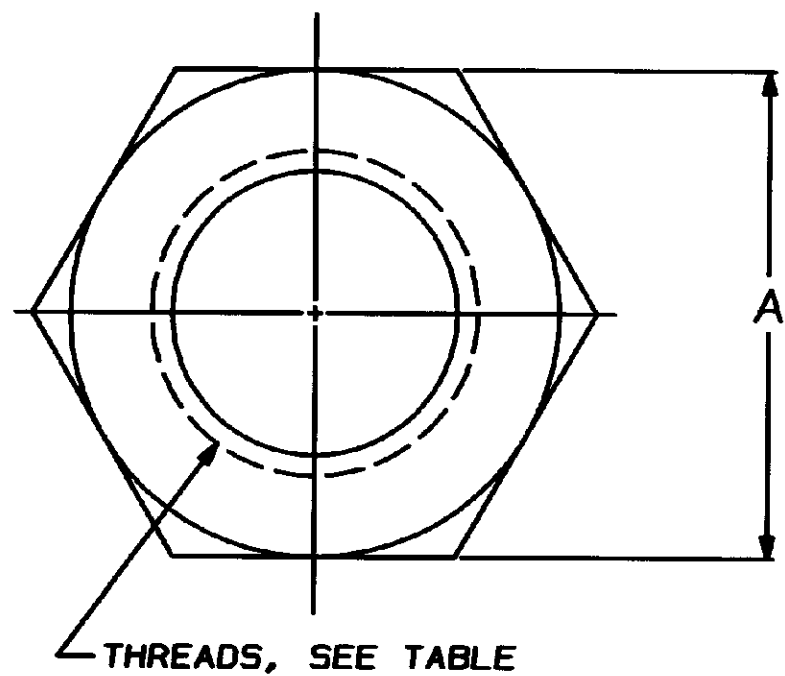


DRAWING MADE IN THIRD ANGLE PROJECTION
 THIS DRAWING IS UNPUBLISHED. RELEASED FOR PUBLICATION
 © COPYRIGHT 19 BY AMP INCORPORATED. ALL INTERNATIONAL RIGHTS RESERVED.

LOC	DIST	ZONE	LTR	REVISIONS	DATE	APPD
AJ	16			C	5-18-93	MS
				REDWN & ADDED 2-3 PER 93-3317-016		



VIEW X



VIEW Y

SAME AS VIEW X EXCEPT AS SHOWN

- 1 SILVER PLATE PER QQ-S-365, 5.08µm [0.000200] MIN THK
- 2 GOLD PLATE PER MIL-G-45204, 1.27µm [0.000050] MIN THK
- 3 NICKEL PLATE PER QQ-N-290, 2.54µm [0.000100] MIN THK
- 4 PASSIVATE PER QQ-P-35
- 5 5/8-24 UNEF-2B
- 6 7/16-28 UNEF-2B
- 7 1/4-36 UNS-2B

VIEW	THREADS	B	A	FINISH	MATERIAL	PART NUMBER
X	5	3.18 [0.125]	19.05±0.38 [0.750±.015]	3	BRASS PER QQ-B-626	2-332004-3
Y	1	1.57 [0.062]	7.92±0.38 [0.312±.015]	3	BRASS PER QQ-B-626	2-332004-2
Y	1	1.57 [0.062]	7.92±0.38 [0.312±.015]	4	SST PER ASTM-A-582	2-332004-0
X	5	3.18 [0.125]	19.05±0.38 [0.750±.015]	1	BRASS PER QQ-B-626	1-332004-9
Y	5	3.18 [0.125]	19.05±0.38 [0.750±.015]	3	BRASS PER QQ-B-626	1-332004-7
Y	1	1.57 [0.062]	7.92±0.38 [0.312±.015]	2	SST PER ASTM-A-582	1-332004-5
Y	1	1.57 [0.062]	7.92±0.38 [0.312±.015]	-	SST PER ASTM-A-582	1-332004-4
Y	5	3.18 [0.125]	19.05±0.38 [0.750±.015]	1	BRASS PER QQ-B-626	1-332004-0

DO NOT SCALE PRINT. UNLESS SPECIFIED DIMENSIONS IN mm [INCHES] TOLERANCES ON: 2 PLC DEC ± 0.20 [0.008] 3 PLC DEC ± - ANGLES ± -		DR 5-18-93 M. SNEED		PART NO	
MATERIAL SEE TABLE		CHK 5-18-93 J. DUNBAR		AMP AMP Incorporated Harrisburg, PA 17105-3608	
FINISH SEE TABLE		APPD 5-18-93 J. DUNBAR		NAME JAM NUT	
		APPD 5-18-93 M. SNEED		SIZE CAGE CODE DRAWING NO C 00779 C-332004	
		PRODUCT SPEC -		SCALE 4:1 SHEET 1 OF 1	
		APPLICATION SPEC -		CUSTOMER DRAWING	
		WEIGHT -			

THIS DRAWING IS A CONTROLLED DOCUMENT FOR AMP INCORPORATED. IT IS SUBJECT TO CHANGE AND THE CONTROLLING ENGINEERING ORGANIZATION SHOULD BE CONTACTED FOR THE LATEST REVISION.